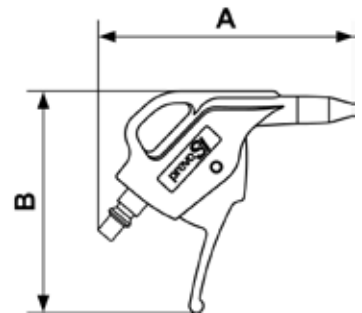


PREVOS1 BLOW GUNS - ARO 210 PROFILE - 6 MM

PREVOS1 blow gun with composite nozzle

Profile : ARO 210



Buse	Force of blow-molding	Flow rate at 6 bar	Max. operating pressure	Material
Straight	286 (G)	2.5 (BAR)	12	Polyamide

Part number	Flow rate at 6 bar (l/min)	Sound level (DBA)	Length (m)	Dim. A (mm)	Dim. B (mm)
ABG 06PRE	230	85	0.047	112	97